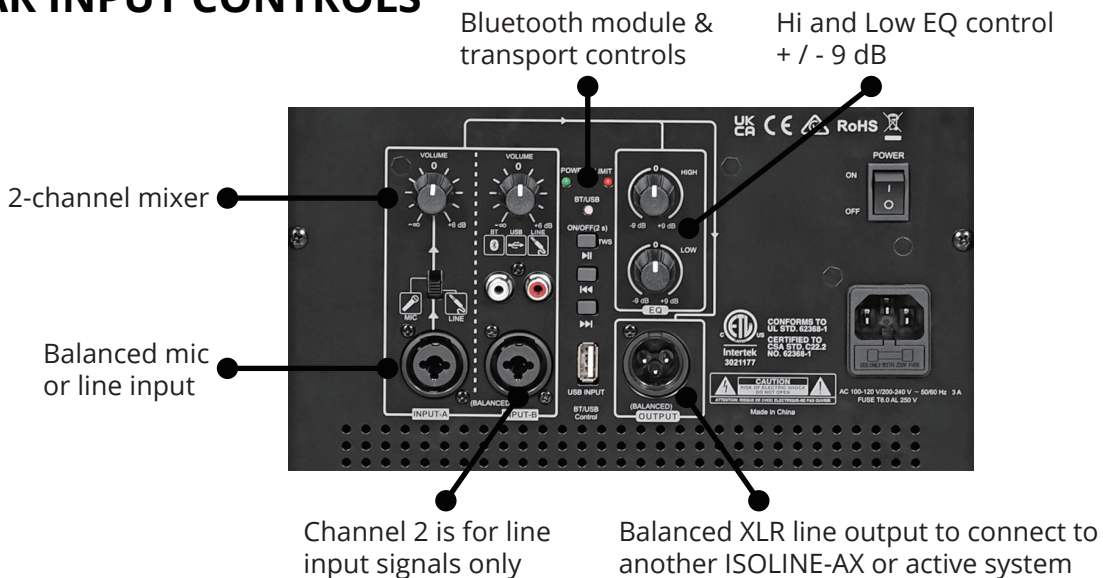


Congratulations on the purchase of your ISOLINE-AX Active Column PA system. We take great pride in engineering and building every Wharfedale Pro product and wish to thank you for entrusting us with your audio.

From the time Gilbert Briggs built his first loudspeaker in 1932, to the present day, we have maintained the same standard of quality in components, workmanship and performance. Please take the time to read this guide completely in order to get the most from your new ISOLINE-AX.

REAR INPUT CONTROLS

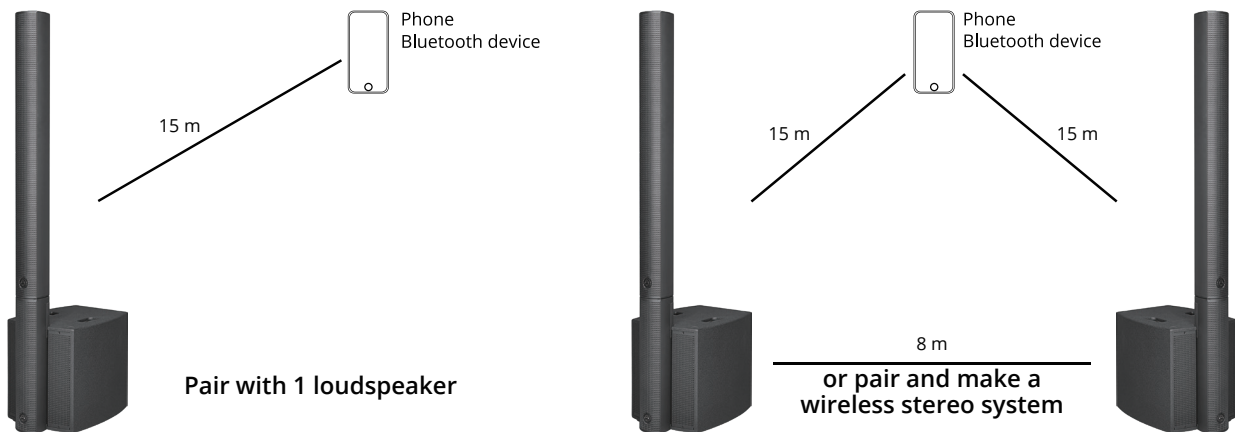


BLUETOOTH OPERATION

Press and hold the Bluetooth button for 2 secs to turn Bluetooth ON or OFF. A quick 'double-click' on the Bluetooth button (0.7 sec) puts ISOLINE-AX into TWS link mode. In this mode the Primary ISOLINE-AX will automatically search for another ISOLINE-AX (Secondary) nearby to create a stereo pair.

Do the same button presses on the Secondary ISOLINE-AX, and the pair will link. The LEDs of both Primary and Secondary will flicker between Red and Blue during pairing and then will stay blue when paired successfully.

The rear panel transport buttons can even remotely control the Bluetooth source. Next track / Pause / Play etc.

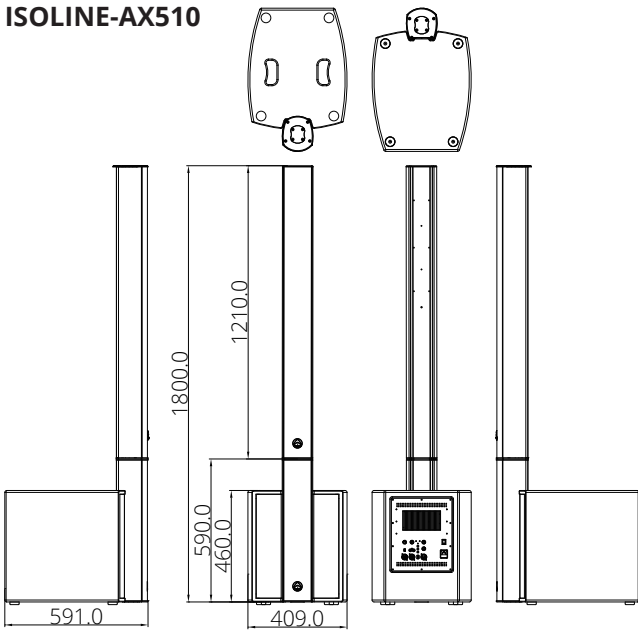


USB OPERATION

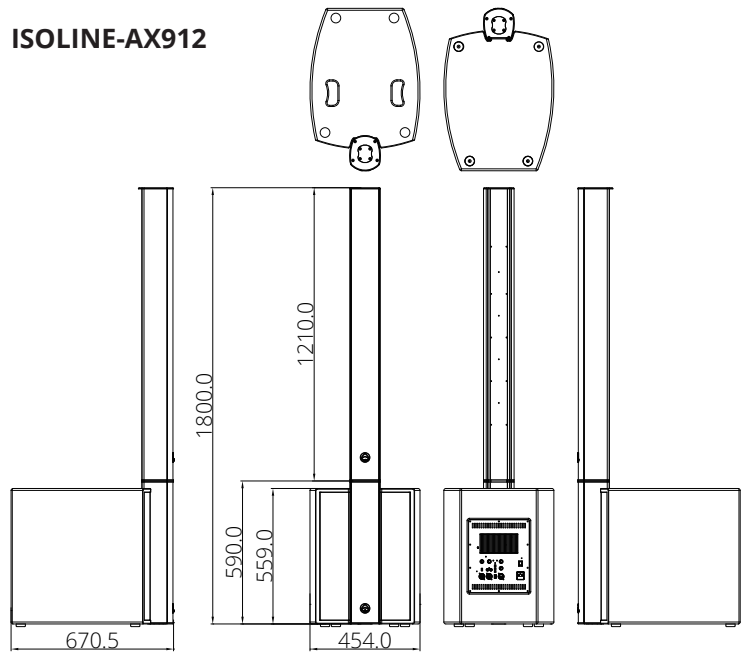
Insert a USB disk loaded with .mp3, .wav or .flac files into the USB socket. Use the rear panel transport controls to control playback. Next track / Pause / Play etc. In Playback mode the LED will flash red. In Pause mode the LED will be solid red.

DIMENSIONAL DRAWINGS

ISOLINE-AX510

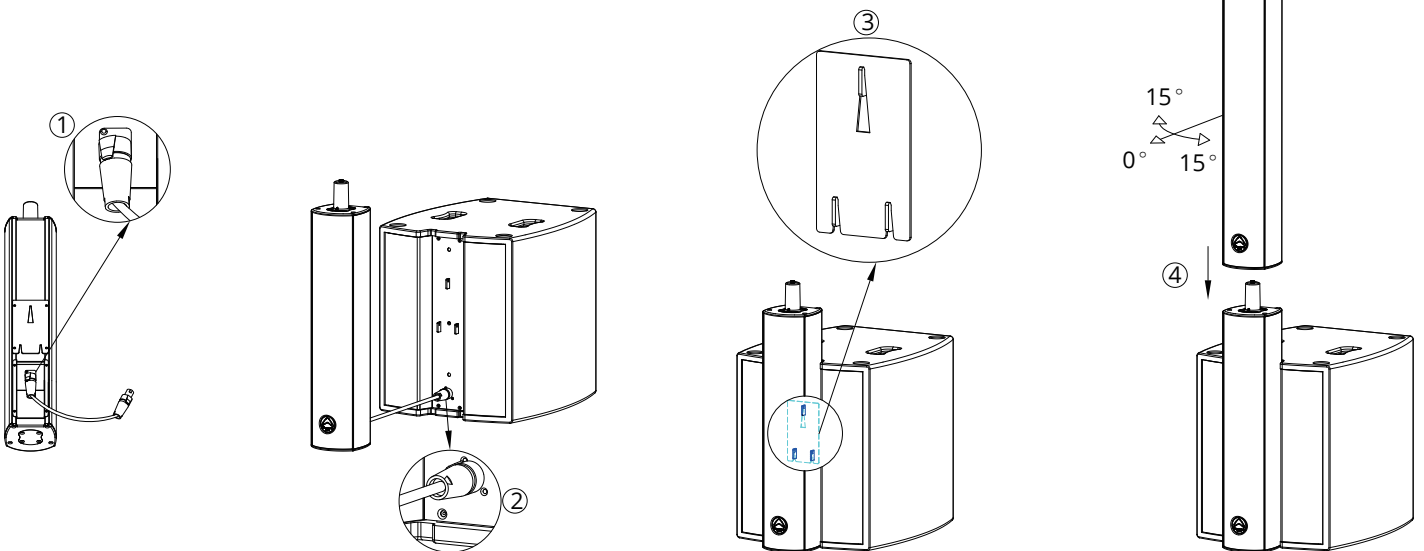


ISOLINE-AX912



INSTALLATION INSTRUCTIONS

1. Connect to ISOLINE-AX510/912 Base with plug
2. Connect to ISOLINE-AX510/912 Subwoofer with the plug
3. Place the bottom of the connected Base about 18 mm above the bottom of the Subwoofer. Insert it downwards until the connection plate is hooked up and will not fall off.
4. Insert the Column directly into the Base and adjust it 15 degrees left and right.



WHARFEDALE PRO LIMITED WARRANTY

Wharfedale Pro products are warranted of manufacturing or material defects for a period of three years from the original date of purchase. In the event of malfunction, contact your authorised Wharfedale Pro dealer or distributor for information.

Please be aware that the warranty details may differ from country to country. Contact your dealer or distributor for information (available at www.wharfedalepro.com). These terms do not infringe your statutory rights.



WHARFEDALE PROFESSIONAL

1AG House, 13/14 Glebe Road, Huntingdon, Cambridgeshire, PE29 7DL, UK
www.wharfedalepro.com

Wharfedale Professional reserves the right to alter or improve specifications without notice.
 All rights reserved © 2023 Wharfedale Pro. Wharfedale Pro is a member of the IAG Group.