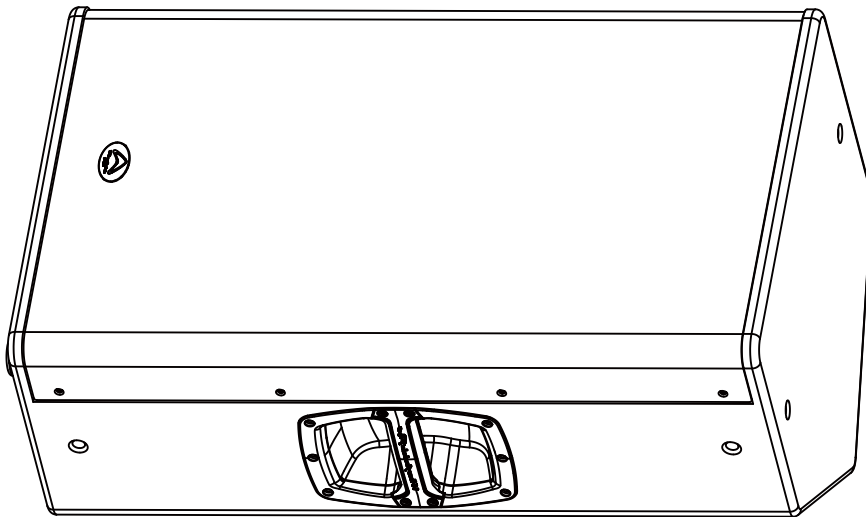




WLA-15MF

IPX6 Certified Waterproof Floor Monitor



IMPORTANT WARNINGS & SAFETY INSTRUCTIONS

- Read these instructions
- Follow these instructions
- Keep these instructions for future reference
- Heed all warnings
- Clean only with a dry cloth
- Install in accordance with these Wharfedale Pro operating instructions
- Follow the manufacturer's operating instructions for all peripheral devices such as amplifiers and processors
- Do not install near heat sources such as radiators, heat registers, stoves or any other apparatus that produces heat (for example lighting systems and amplifiers)
- Use only accessories specified or supplied by Wharfedale Pro
- Do not use shielded microphone/instrument cables to connect amplifiers and speakers, use only approved speaker cables with proper connectors
- Use caution with placement and operation of this speaker system, permanent hearing damage can be caused by prolonged exposure to excessive sound pressure levels
- Refer all servicing to qualified professionals. Servicing is required when the loudspeaker has been damaged in any way, such as impact damage, liquid ingress or foreign object damage. In addition the loudspeaker should be referred to qualified service personnel if there is any kind of malfunction.



Rigging, suspending and mounting should only be attempted by experience qualified professionals. Incorrect usage can result in damage to equipment and property, injury and even death. Under no circumstances should you attempt to rig, suspend or mount these speakers unless you are fully qualified and certified to do so by relevant local, state and national authorities. If you are not properly qualified or do not know of pertinent regulations consult qualified personnel for advice. Consult a structural engineer before suspending a speaker system and ensure that the total weight of your system can be held by the truss or mounting surface.



Inspect all mounting hardware before your line array is flown. If there is any damage or distortion to any mounting hardware do not fly the array until any damaged hardware is repaired or replaced. Only use Wharfedale Pro supplied Quick release Pins, contact your Wharfedale Pro Distributor if any quick release pins are lost or damaged.

FEATURES

WLA-15MF

- 15" Passive floor monitor
- IPX6 Waterproof Certification
- Wax wrapped components
- Anti-corrosion stainless steel hardware
- Waterproof input connector
- System Continuous Power 700 W
- System Programme Power 1400 W
- System Peak Power 2800 W
- Impedance 8 Ω
- 15 mm Plywood construction

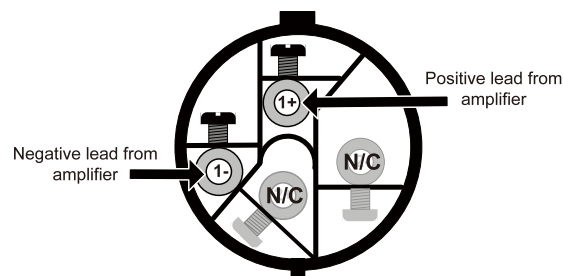
Other IPX6 rated products from Wharfedale Pro include.....

- WLA-218BF - 2 x 18" subwoofer
- WLA-28F - 2 x 8" passive line array element
- WLA-28SUBF - 2 x 15" passive subwoofer

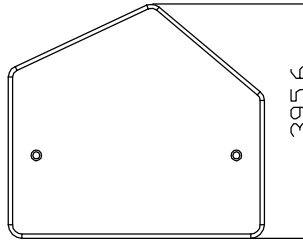
Wharfedale Pro also manufacture a wide range of power amplifiers and signal processors.
For recommended accessories, amplifiers and system diagrams please visit www.wharfedalepro.com

CONNECTIONS

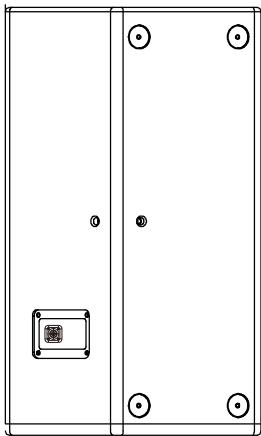
PIN 1	LF Positive
PIN 2	LF Negative
PIN 3	Not connected
PIN 4	Not connected



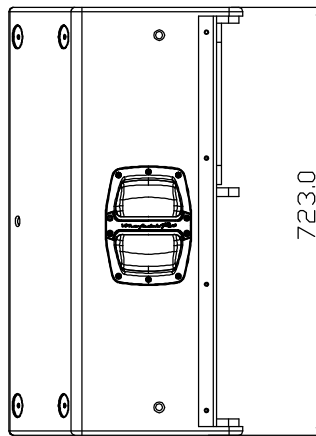
DIMENSIONAL DRAWINGS - WLA-15MF



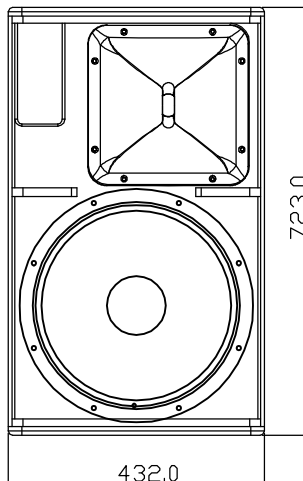
TOP



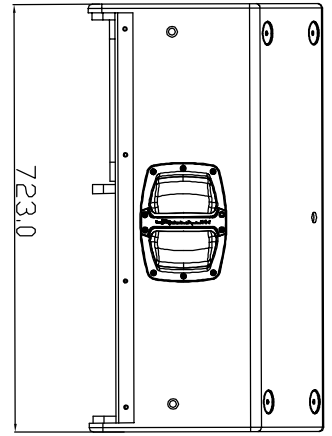
REARE



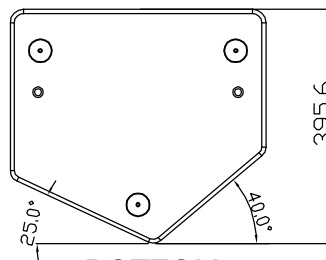
SIDE



FRONT



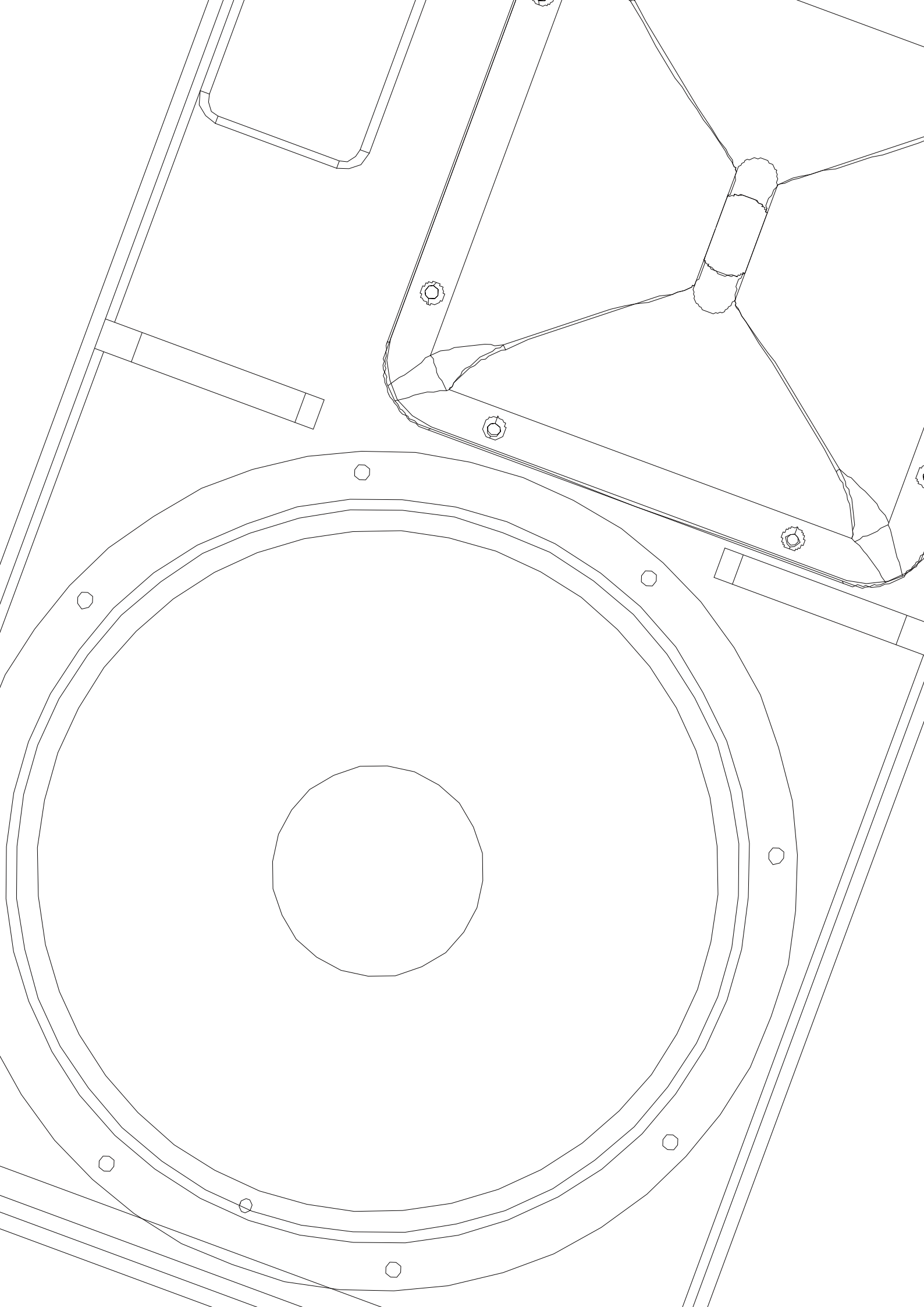
SIDE



BOTTOM

SPECIFICATIONS

Model Name	WLA-15MF
System Type	IPX6 waterproof
Configuration	15" monitor
Freq Response (+/-3 dB)	50 Hz - 20 kHz
Freq Range (-10 dB)	45 Hz - 20 kHz
Sensitivity (2.83 v / 1 m)	99 dB
Calc Max SPL @1 m	133 dB
System Impedance	8 Ω
LF Transducer	
Size	381 mm / 15"
Voice Coil Size	102 mm / 4.0"
Rated Impedance	8 Ω
LF Power (re:AES2-2012)	700 W
HF Transducer	
Compression driver	Neo
Voice Coil Size	82 mm / 3.2"
Exit Size	35.6 mm / 1.4"
Diaphragm Material	Titanium
Rated Impedance	8 Ω
HF (re:AES2-2012)	80 W
Coverage (H x V)	90° x 60°
Power	
Continuous Power	700 W
Programme Power	1400 W
Peak Power	2800 W
Crossover frequency	
Operational Modes	No
Input Connector	1 x Neutrik NLT4 MP BAG
Hardware	
Rigging	9 x M10
Enclosure Material	15 mm Plywood
Finish	Waterproof Paint
Grille Material	3.0 mm Aluminium
Dims- (Unpacked)	
Height Front	723 mm / 28.5"
Height Rear	723 mm / 28.5"
Width	432 mm / 17.0"
Depth	395.6 mm / 15.6"
Dims - (Packed)	
Height	826 mm / 32.5"
Width Front	522 mm / 20.6"
Width Rear	522 mm / 20.6"
Depth	490 mm / 19.3"
Weight	
Net Weight	30.5 kg / 67.1 lbs
Gross Weight	35.6 kg / 78.32 lbs



WHARFEDALE PRO LIMITED WARRANTY

Wharfedale Pro products are warranted of manufacturing or material defects for a period of one year from the original date of purchase. In the event of malfunction, contact your authorised Wharfedale Pro dealer or distributor for information.

Please be aware that the warranty details may differ from country to country. Contact your dealer or distributor for information (available at www.wharfedalepro.com). These terms do not infringe your statutory rights.



Wharfedale Professional
IAG House 13/14 Glebe Road Huntingdon Cambridgeshire PE29 7DL UK
www.wharfedalepro.com

Wharfedale Professional reserves the right to alter or improve specifications without notice.
All rights reserved © 2021 Wharfedale Pro. Wharfedale Pro is a member of the IAG Group.