



IMPORTANT SAFETY INSTRUCTIONS

For your full PDF User manual, please visit www.wharfedalepro.com

1. **READ ALL INSTRUCTIONS** – carefully and become familiar with the features and functions of these products before operating them.
2. **RETAIN THESE INSTRUCTIONS** – for future reference.
3. **COMPLY WITH ALL WARNINGS** – All warnings and instructions for this product should be adhered to.
4. **USE WITH AMPLIFIERS** – In order to avoid damage to drivers and other equipment, it is advisable to establish and follow a routine for powering up and powering down a sound system. With all system components connected, turn on source equipment (mixers, signal processors, record and playback units, etc.) **BEFORE** powering up amplifiers. Transient voltages from powering up source equipment can damage speakers if amplifiers are already turned on. Make sure that amplifier volumes are set to their minimum settings and power up any system amplifiers **LAST**. It is recommended that all system components be allowed to stabilize for several seconds before any source signals are introduced or level setting adjustments are made. Similarly, when shutting systems down, turn all amplifiers off first, before powering down any other system components.
5. **CABLES** – Do not use shielded or microphone cables for connection between amplifiers and speakers. Use only approved speaker cables with proper connectors.
6. **CAUTION** – Professional loudspeaker systems are capable of generating very high sound pressure levels. Use care with placement and operation to avoid exposure to excessive volume levels. Permanent hearing damage can result when operated to extreme levels.
7. **SERVICE** – There are no user serviceable parts inside this product. Users should not attempt to service this product. Warranty nullification could result if this is attempted.
8. **RIGGING - SUSPENDING - MOUNTING** - Rigging suspending or mounting of speaker systems can expose members of the public to serious health risks and even death.

UNDER NO CIRCUMSTANCES ATTEMPT TO RIG, SUSPEND OR OTHERWISE MOUNT THESE SPEAKERS UNLESS YOU ARE FULLY QUALIFIED AND CERTIFIED TO DO SO BY RELEVANT LOCAL, STATE AND NATIONAL AUTHORITIES. ALL RELEVANT SAFETY REGULATIONS MUST BE FOLLOWED. IF YOU ARE NOT PROPERLY QUALIFIED OR DO NOT KNOW OF PERTINENT REGULATIONS, CONSULT QUALIFIED PERSONNEL FOR ADVICE.

WHARFEDALE PRO LIMITED WARRANTY

Wharfedale Pro products are warranted of manufacturing or material defects for a period of one year from the original date of purchase. In the event of malfunction, contact your authorized Wharfedale Pro dealer or distributor for information.

*Be aware that warranty details may differ from country to country. Contact your dealers or distributor for information. These terms do not infringe your statutory rights.

WHARFEDALE PROFESSIONAL

IAG House, 13/14 Glebe Road, Huntingdon, Cambridgeshire, PE27 7DL, UK

www.wharfedalepro.com

Wharfedale Professional reserves the right to alter or improve specifications without notice.

All rights reserved © 2020 Wharfedale Pro. Wharfedale Pro is a member of the IAG Group.

- Dual 15" Passive subwoofer
- IPX6 Waterproof Certification
- Wax wrapped components
- Anti-corrosion stainless steel hardware
- Waterproof input connectors
- System Continuous Power 1200w
- System Programme Power 2400w
- System Peak Power 4800w
- Impedance 4Ω
- 18mm Plywood construction

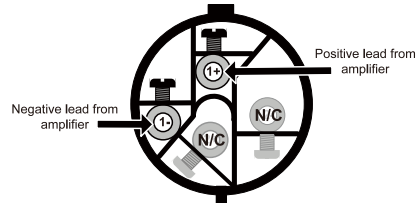
WLA-28SUBF

OVERVIEW

For your full PDF User manual, please visit www.wharfedalepro.com

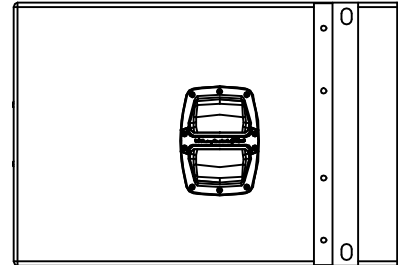
CONNECTIONS

PIN 1	LF Positive
PIN 2	LF Negative
PIN 3	Not connected
PIN 4	Not connected

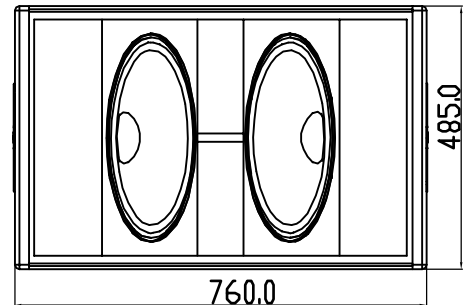


SPECIFICATIONS

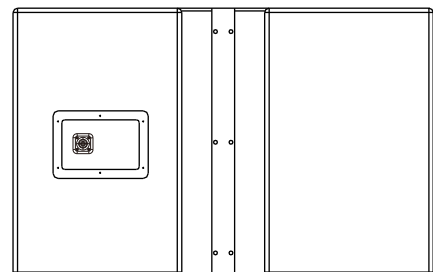
Model Name	WLA-28SUBF
System Type	Passive IPX6 waterproof
Configuration	2 x 15" subwoofer
Frequency Response (+/-3dB)	39Hz - 900kHz
Frequency Range (-10dB)	35Hz - 1.5kHz
Sensitivity (2.83v/1m)	108dB
Calculated Maximum SPL @1m	145dB
System Rated Impedance	4Ω
Low Frequency Transducer	
Size	2 x 381mm / 15"
Voice Coil Size	100mm / 4.0"
Rated Impedance	2 x 8Ω
LF Power (re:AES2-2012)	2 x 600W
High Frequency Transducer	
HF Driver Type	-
Voice Coil Size	-
Exit Size	-
Diaphragm Material	-
Rated Impedance	-
HF Power (re:AES2-2012)	-
Nominal Coverage (H x V)	-
Power	
System Continuous Power	1200W
System Programme Power	2400W
System Peak Power	4800W
Crossover frequency	No
Operational Modes:	No
Input Connector	1 x Neutrik NLT4 MP BAG
Hardware	Integral, non adjustable
Enclosure	
Enclosure Material	18mm Plywood
Finish	Waterproof Black Paint
Grille Material & Finish	3.0mm Black Aluminium
Dimensions - (Unpacked)	
Height Front/Height Rear	485mm / 19.1"
Width Front	760mm / 29.9"
Width Rear	760mm / 29.9"
Depth	716mm / 28.2"
Dimensions - (Packed)	
Height	575mm / 22.6"
Width Front	850mm / 33.5"
Width Rear	850mm / 33.5"
Depth	806mm / 31.7"
Weight	
Net Weight (kg / lbs)	62.2kg / 134.6lbs
Gross Weight (kg / lbs)	70.2kg / 145.2lbs



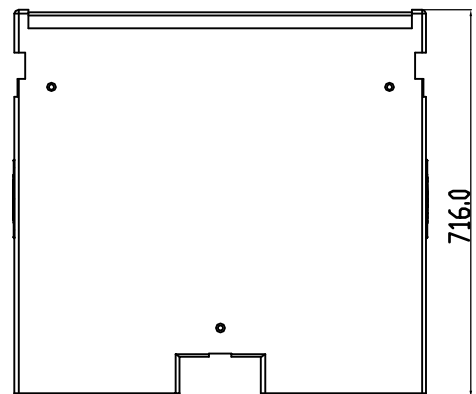
SIDE



FRONT



REAR



BOTTOM

Wharfedale Pro also manufacture a wide range of power amplifiers and signal processors. For recommended accessories, amplifiers and system diagrams please visit www.wharfedalepro.com