



Wharfedale Pro Reason Series User Manual Reason-X12 and Reason-X15

IMPORTANT SAFETY INSTRUCTIONS

1. READ ALL INSTRUCTIONS – carefully and become familiar with the features and functions of these products before operating them.
2. RETAIN THESE INSTRUCTIONS – for future reference.
3. COMPLY WITH ALL WARNINGS – All warnings and instructions for this product should be adhered to.
4. USE WITH AMPLIFIERS – In order to avoid damage to drivers and other equipment, it is advisable to establish and follow a routine for powering up and powering down a sound system. With all system components connected, turn on source equipment (mixers, signal processors, record and playback units, etc.) BEFORE powering up amplifiers. Transient voltages from powering up source equipment can damage speakers if amplifiers are already turned on. Make sure that amplifier volumes are set to their minimum settings and power up any system amplifiers LAST. It is recommended that all system components be allowed to stabilize for several seconds before any source signals are introduced or level setting adjustments are made. Similarly, when shutting systems down, turn all amplifiers off first, before powering down any other system components.
5. CABLES – Do not use shielded or microphone cables for connection between amplifiers and speakers. Use only approved speaker cables with proper connectors.
6. CAUTION – Professional loudspeaker systems are capable of generating very high sound pressure levels. Use care with placement and operation to avoid exposure to excessive volume levels. Permanent hearing damage can result when operated to extreme levels.
7. SERVICE – There are no user serviceable parts inside this product. Users should not attempt to service this product. Warranty nullification could result if this is attempted.
8. RIGGING - SUSPENDING - MOUNTING - Rigging suspending or mounting of speaker systems can expose members of the public to serious health risks and even death.

UNDER NO CIRCUMSTANCES ATTEMPT TO RIG, SUSPEND OR OTHERWISE MOUNT THESE SPEAKERS UNLESS YOU ARE FULLY QUALIFIED AND CERTIFIED TO DO SO BY RELEVANT LOCAL, STATE AND NATIONAL AUTHORITIES. ALL RELEVANT SAFETY REGULATIONS MUST BE FOLLOWED. IF YOU ARE NOT PROPERLY QUALIFIED OR DO NOT KNOW OF PERTINENT REGULATIONS, CONSULT QUALIFIED PERSONNEL FOR ADVICE.

WHARFEDALE PRO LIMITED WARRANTY

Wharfedale Pro products are warranted of manufacturing or material defects for a period of one year from the original date of purchase. In the event of malfunction, contact your authorized Wharfedale Pro dealer or distributor for information.

*Be aware that warranty details may differ from country to country. Contact your dealers or distributor for information. These terms do not infringe your statutory rights.



WHARFEDALE PROFESSIONAL

IAG House, 13/14 Glebe Road, Huntingdon, Cambridgeshire, PE27 7DL, UK

www.wharfedalepro.com

Wharfedale Professional reserves the right to alter or improve specifications without notice.

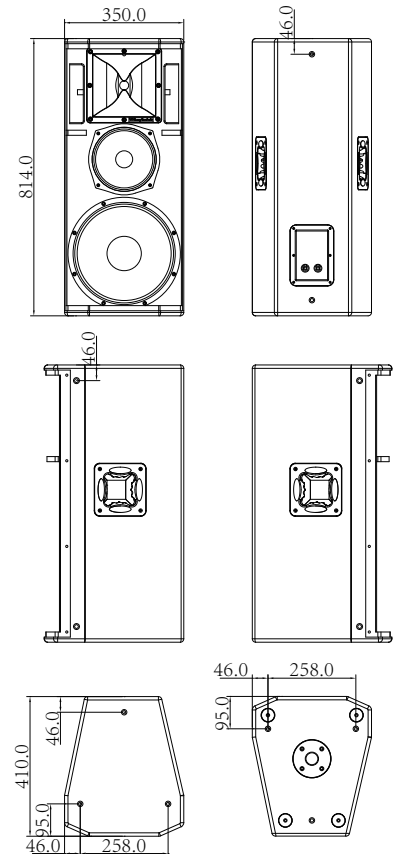
All rights reserved © 2020 Wharfedale Pro. Wharfedale Pro is a member of the IAG Group.

SPECIFICATION

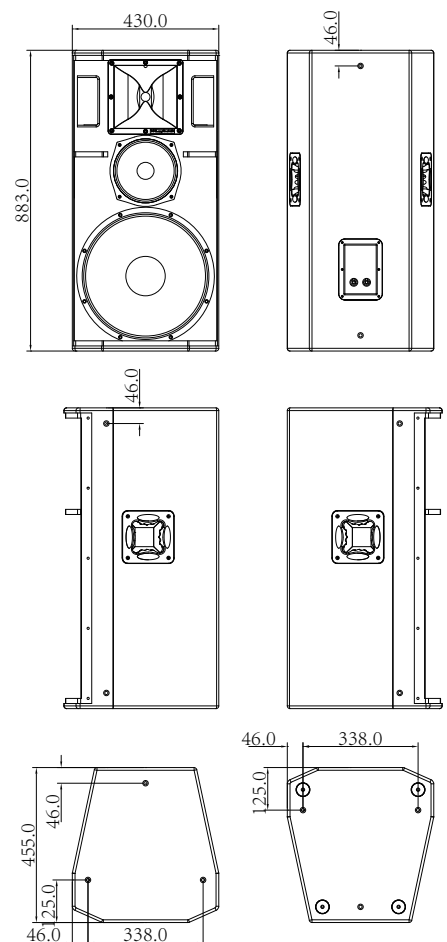
Model Name	Reason-X12	Reason-X15
System Type	Passive	Passive
Configuration	Three-way	Three-way
Frequency Response (+/-3dB)	55Hz - 20kHz	45Hz - 20kHz
Frequency Range (-10dB)	50Hz - 20kHz	40Hz - 20kHz
Sensitivity (2.83v/1m)	98dB	99dB
Calculated Maximum SPL @1m	131dB	133dB
System Rated Impedance	8Ω	8Ω
Low Frequency Transducer		
Size	332mm / 12"	404mm / 15"
Voice Coil Size	75mm / 3.0"	75mm / 3.0"
LF Magnet Material	ferrite	ferrite
LF Frame Material	Aluminium	Aluminium
Rated Impedance	8Ω	8Ω
LF Power re:AES2-2012	400W	500W
Mid Frequency Transducer		
Size	203.8mm / 8"	203.8mm / 8"
Voice Coil Size	50.8mm / 2.0"	50.8mm / 2.0"
MF Magnet Material	ferrite	ferrite
MF Frame Material	Aluminium	Aluminium
Rated Impedance	8Ω	8Ω
MF Power re:AES2-2012	100W	100W
High Frequency Transducer		
HF Driver Type	Compression Driver	Compression Driver
Coil Size (mm / inches)	38mm / 1.5"	38mm / 1.5"
Exit Size (mm / inches)	25mm / 1"	25mm / 1"
HF Magnet Material	NdFeB	NdFeB
Diaphragm Material	PEN	PEN
Rated Impedance	8Ω	8Ω
HF Power re:AES2-2012	40W	40W
Waveguide Type	square	square
Nominal Coverage (H x V)	100 x 70	100 x 70
Nominal Impedance	8Ω	8Ω
Power		
System Continuous Power (W)	500W	600W
System Programme Power (W)	1000W	1200W
System Peak Power (W)	2000W	2400W
Crossover Frequency	800Hz / 2.7kHz	800Hz / 2.7kHz
Input Connector	2 x speakON	2 x speakON
Rigging	M8 x 12	M8 x 12
Handles	2	2
Enclosure		
Cabinet Type	Trapezoid	Trapezoid
Enclosure Material and finish	15mm plywood	15mm plywood
Colour Options	Black paint	Black paint
Grille Material & Finish	Steel	Steel
Dimensions - Unpacked (mm / inches):		
Height	814mm / 32.0"	883mm / 34.8"
Width Front	350mm / 13.8"	430mm / 16.9"
Width Rear	231mm / 9.1"	298mm / 11.7"
Depth	410mm / 16.1"	455mm / 17.9"
Dimensions - Packed (mm / inches):		
Height	909mm / 35.8"	978mm / 38.5"
Width Front	500mm / 19.7"	545mm / 21.5"
Width Rear	500mm / 19.7"	545mm / 21.5"
Depth	440mm / 17.3"	520mm / 20.5"
Weight		
Net Weight (kg / lbs)	29.0kg / 63.8lbs	32.5kg / 71.5lbs
Gross Weight (kg / lbs)	33.7kg / 74.2lbs	37.5kg / 82.5lbs

OVERVIEW

Reason-X12



Reason-X15



Wharfedale Pro also manufacture a wide range of power amplifiers and signal processors.
For recommended accessories, amplifiers and system diagrams please visit www.wharfedalepro.com